



Quality Products. Service Excellence.

900-1200 BTU/H Outdoor Air Conditioner *DTS Series*

Type 3R, 4, Side Mounting



Description

- Designed for side mounting on any enclosure surface where high capacity system cooling is required.
- Closed loop cooling ensures clean enclosure air is recirculated without ever mixing with contaminated ambient air.
- Optimum air circulation with maximum clearance distance between warm inlet and cold outlet for reduced hot spot locations.
- Air conditioners are shipped separately and installed on site.

Standards

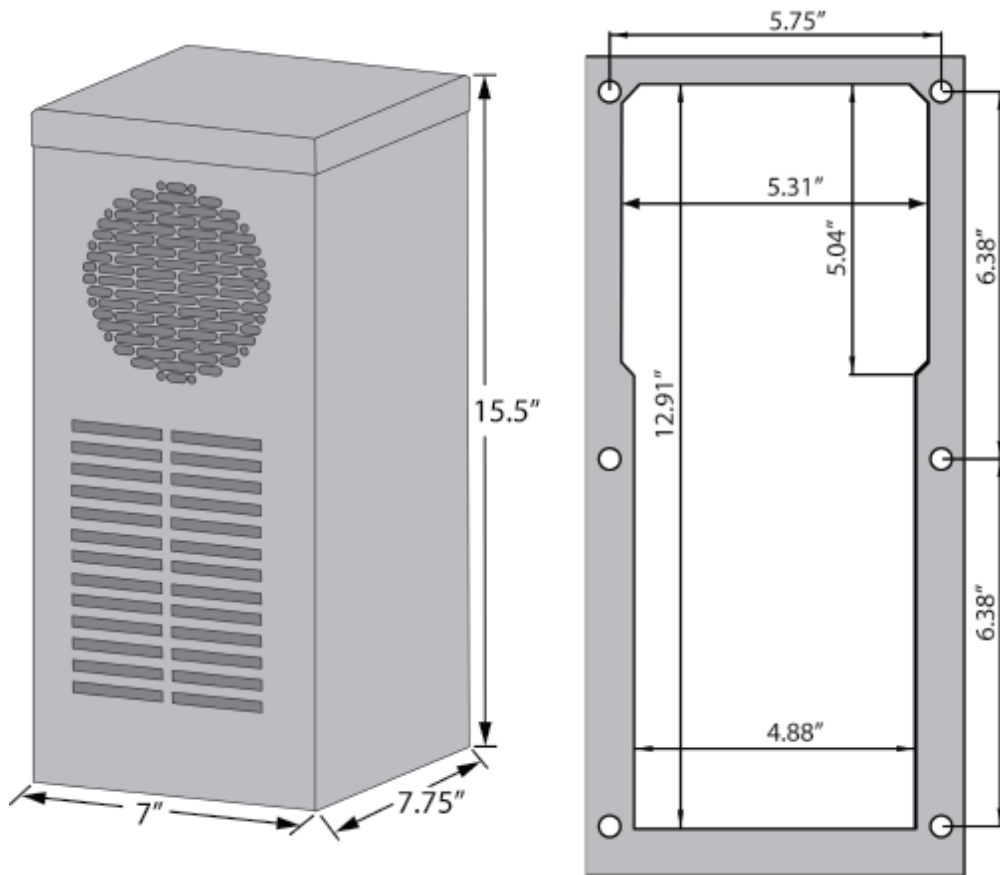
- UL, cUL, CE
- Complies with
 - IP56
 - NEMA 3R, 4

Features

- R134a refrigerant.
- Thermostat control accessible from inside enclosure.
- Expansion valve prevents evaporator freeze up while minimizing heavy inrush currents on large BTU/H units.
- Direct condensate discharge via 1/4" NPT threaded port.
- Continuous air circulation from high capacity fans.
- EMI/RFI suppression meets CE.
- Provision for door contact allowing power down when enclosure door is opened.
- Gasket, mounting kit and template for enclosure cutout and drilling are included.
- Washable aluminum mesh filter.

Accessories

- Remote Door Switches
- Gasket Kits
- Filter Kits



| |
|-----------------|
| Part No. |
| DTS3031A115N3LG |
| DTS3031A230N3LG |

* For ANSI 61 Gray replace LG with GY

| Electrical Data | DTS3031A115N3LG | DTS3031A230N3LG |
|------------------------|-----------------|-----------------|
| Rated Voltage | 115 V 60 Hz | 230 V 50/60 Hz |
| Range of Operation | 103- 127 V | 207-253 V |
| Power Consumption | 325 W | 315 W |
| Running Amps | 3 | 2 |
| Starting Current | 10 | 5 |
| Line Cord | With Plug | With Plug |

| Refrigeration Data | |
|---|---|
| Cooling Capacity BTU (Watts) +95/95 F +35/+35 C | 1194 BTU/h (350 Watts) |
| Type of Refrigerant | R134a |
| Refrigeration Charge | 150 g |
| Adjustable Control Range | +50F..+105 F +10C..+40 C Factory setting +95F / 35C |
| Max Ambient Air Temp | +114F (+45C) |
| Min Ambient Air Temp | -40F (-40C) |
| Air Capacity (unrestricted) | Internal 38 CFM External 30 CFM |
| Condensation Discharge | Condensate Drain |
| Filter Mat | Aluminum Mesh |
| Db noise level | <64 db |
| Unit Weight | 30 lbs (13.6kg) |
| Exterior Case | Galvanized sheet metal |
| Finish LG | RAL7035 light gray |
| Finish GY | ANSI 61 Gray |
| Nema Rating | enclosures IP56 / NEMA 3R/4 |

Data subject to change without notice

